



Precision power control/sensing

FEATURES:

- Solid Core
- Fixed Threshold or Field Adjustable Models
- Up to 100 amps input current (MCS0.5A)
- Up to 75 amps input current (MCS75A-LED)
- Small, Compact Design

MANUFACTURED BY AN ISO 9001 REGISTERED QUALITY SYSTEM KELE INC. PARTNER

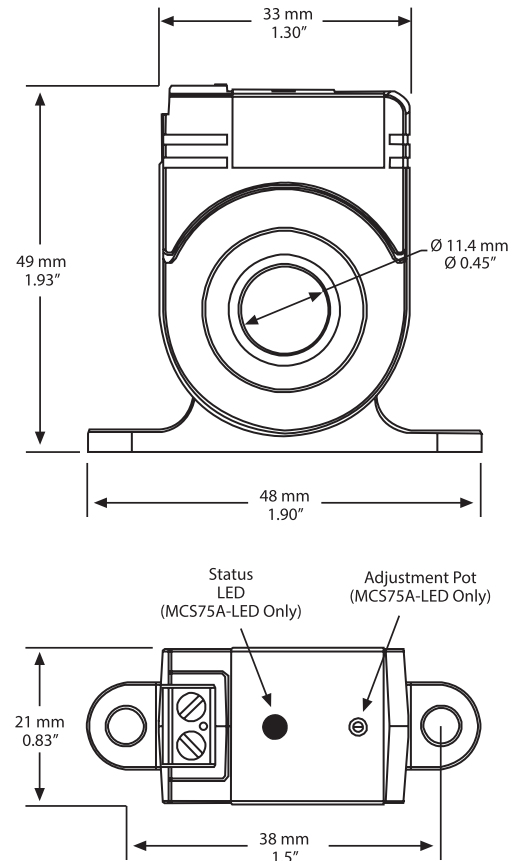
DESCRIPTION:

The MCS Series mini current switches monitor line current for electrical loads such as pumps, conveyors, lighting, heaters or fans and closes the output contacts when the trip point is exceeded. The MCS0.5A has a factory set trip point of 0.5 Amps to provide Fixed Threshold status operation. The MCS75A-LED has a trip setpoint that is adjustable between 0.75 to 75 Amps by rotating the adjustment pot.

The sensor requires no external power as it is totally powered by induction from the AC line being monitored. The switch output is normally open and when the input current exceeds the trip setpoint the switch closes to provide an on/off digital signal to the controller

SPECIFICATION:

Current Setpoint:.....	Fixed at 0.5 Amps (MCS0.5A) 0.75 to 75 Amps (MCS75A-LED)
Maximum Input Current:.....	100 Amps continuous (MCS0.5A) 75 Amps continuous (MCS75A-LED)
Sensor Power:.....	Self-powered
Output Type:.....	Solid-state mosfet
Output Switch Action:.....	Normally open
Output Switch Ratings:.....	30 Vac/dc, 500 mA Max.
Indication:.....	Status LED (MCS75A-LED Only)
Von @ 24 Vdc at 500mA:.....	< 50 mV
Frequency:.....	40-100 Hz
Response Time:.....	200 mS Typical
Insulation Class:.....	600 Vac, insulated conductors
Operating Temperature:.....	-15 to 60 °C (5 to 140 °F)
Operating Humidity:.....	5 to 90% RH non-condensing
Terminal Block:.....	14 to 22 AWG
Dimensions:.....	48 x 49 x 21 mm (1.9 x 1.93 x 0.83 in)
Sensor Aperture:.....	11.4 mm (0.45 in)
Enclosure Material:.....	ABS/PC, UL94 V-0
Agency Approvals:.....	cULus Listed



ORDER INFORMATION:

MCS0.5A	Fixed Threshold
MCS75A-LED	Adjustable



Kele Inc.
3300 Brother Boulevard
Bartlett, TN 38133
info@kele.com
kele.com

USA: 888-397-5353
FAX: 800-284-5353
International: 901-382-6084
International FAX: 901-388-1697

